

AE2 EV Fuse



FEATURES:

- Rated Voltage: 500V DC
- Rated Current: 5~40A
- Rated Breaking Capacity: 6kA
- Dimensions: 10x38mm
- General purpose fuse for EV/HEV, e-Bus and charging stations
- Special designed fuse base for automotive use

ELECTRICAL SPECIFICATIONS

Part Number	Rated Current (A)	Rated Voltage (VDC)	Breaking Capacity
AE21500601	5	500	6kA@500V DC
AE21600601	6		
AE21800601	8		
AE22100601	10		
AE22150601	15		
AE22200601	20		
AE22250601	25		
AE22300601	30		
AE22350601	35		
AE22400601	40		

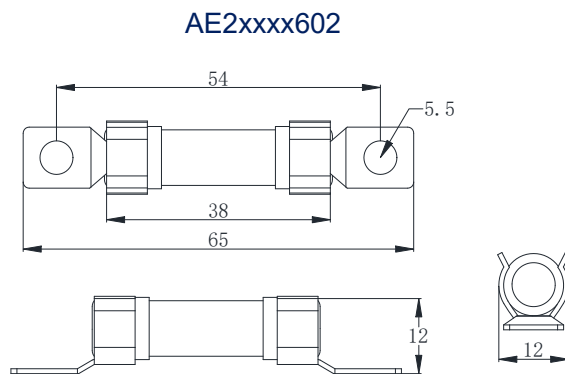
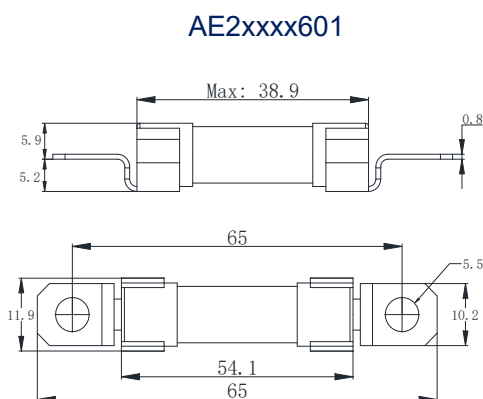
Note:

- (1) Percentage of change in fuse current carrying capability. Change in ambient temperature: $-0.13\%/^{\circ}\text{C}$
- (2) Temperature Rise: $\leq 75\text{K}$ at rated current ; $\leq 45\text{K}$ at 60% of rated current

TIME VS CURRENT CHARACTERISTIC

Rated Current	110%	200%	300%	500%
5~40A	>4H	1~300s	0.2~30s	0.1~10s

DIMENSIONS (mm)



TIME CURRENT CURVE

